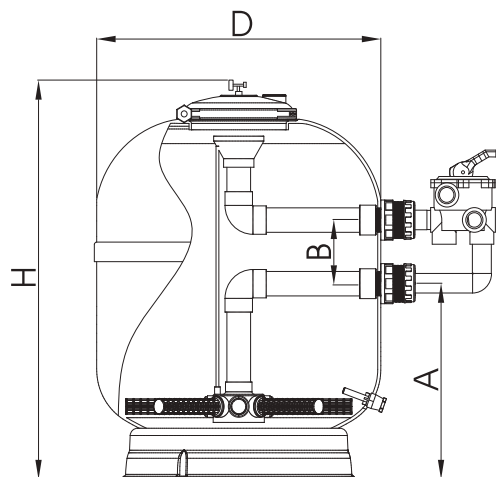


## Laminated Polyester Glassy Finish Side Mounted Sand Filter



Euro series Glossy finish sand filter, internal FRP double bowl for safety exterior glossy finish. High demand sand filter for Europe and Asian Market.

- \* Easy-to-read top mounted pressure gauge with manual air relief.
- \* Easy-to use water drain for simplified service and wintering.
- \* All filter fittings and threaded to easy servicing.

## POLYESTER SAND FILTERS WITH GLOSSY FINISH

The sand filters are manufactured with monobloc polyester resin and fibreglass with boltless lid and polypropylene base. Equipped with pressure gauge, water drainage plug, and multiport valve. Side Model .Prices include multiport valves , exclude Sand.

Code	Description	ø Filter D mm	Size			Connections	Flow rate m³/h	Pool (volume) m³ (8 hours)	Sand (kgs)	Max working pressure kg/cm²	Net weight (kgs)
			H mm	A mm	Dmm						
CX-10201	500mm (20") Sand Filter with 1.5" valve	500	736	320	500	1.5"	10,00	64	75	2,5	15
CX-10202	620mm (26") Sand Filter with 1.5" valve	620	798	326	620	1.5"	15,00	168	200	2,5	20
CX-10203	760mm (32") Sand Filter with 2" valve	760	911	330	760	2"	22,00	192	410	2,5	31
CX-10204	920mm (38") Sand Filter with 2" valve	920	124	394	920	2"	30,00	192	450	2,5	38